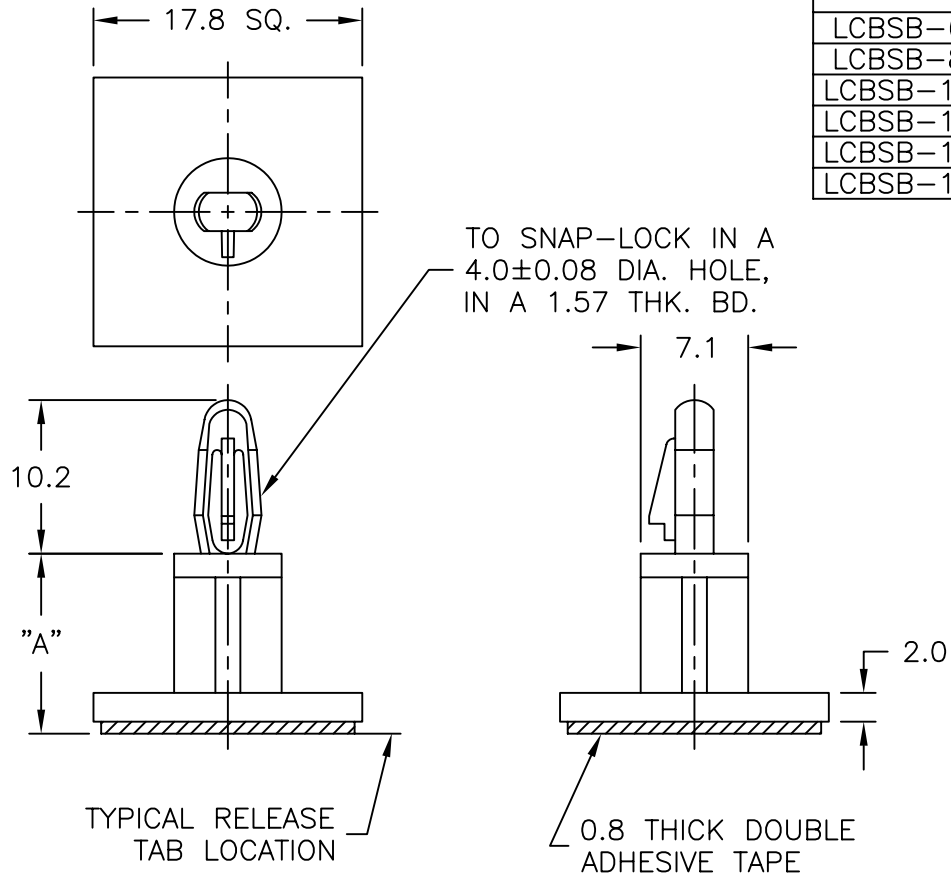


PART NO.	DIM "A" ±0.4
LCBSB-6M-01A-RT	6.0
LCBSB-8M-01A-RT	8.0
LCBSB-10M-01A-RT	10.0
LCBSB-12M-01A-RT	12.0
LCBSB-14M-01A-RT	14.0
LCBSB-16M-01A-RT	16.0



NOTES:

1. MATERIAL: NYLON 6/6 (RMS-01).  
FLAME RETARDANT, NYLON (RMS-19),  
AVAILABLE BY SPECIAL ORDER ONLY.
2. COLOR: BLUE.
3. PART ALSO AVAILABLE WITHOUT ADHESIVE.  
TO ORDER REMOVE "A-RT" FROM P/N.  
FOR NEW "A" DIM. SUBTRACT 0.8
4. ACRYLIC ADHESIVE TAPE (RMS-15),  
WHITE LINER.

B	UPDATED NOTES AND CHANGED FILE NO.	SM 07.31.02
A	GIVEN NEW FILE NUMBER	JB 09.05.95
REV	DESCRIPTION	ENGR DATE

TITLE: LOCKING CKT. BD. SUPPORT ON BASE (METRIC)				DWG IN MM		FINAL		PRINT TYPE CA	
TOLERANCES UNLESS NOTED .X=±0.25 .XX=±0.13 ANG=±1°		FILE # LCBSB-M	DWN: P.B.	APP:		PART #			
		MAT'L: SEE NOTES	DT: 01-04-95	DT:		SEE TABLE			
		RE: RICHCO, INC.	RICHCO INC. PO BOX 804238, CHICAGO, 60680 (773) 539-4060						